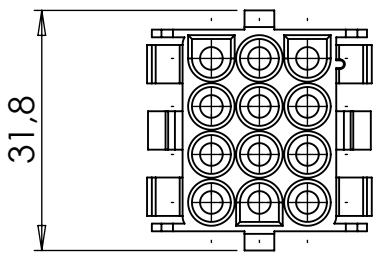
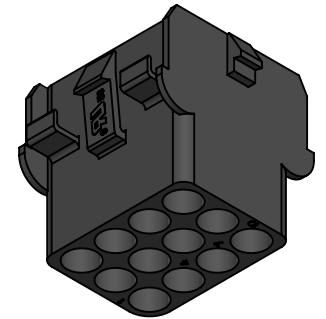
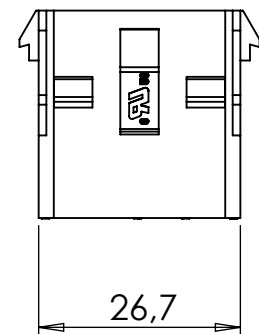
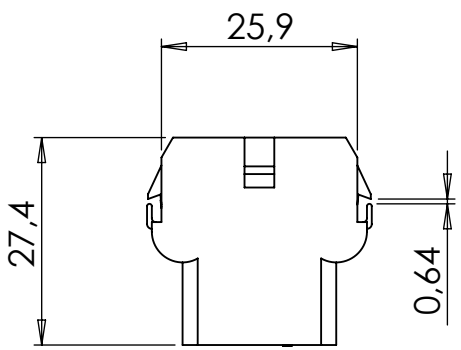
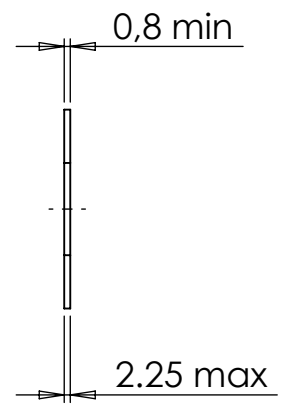
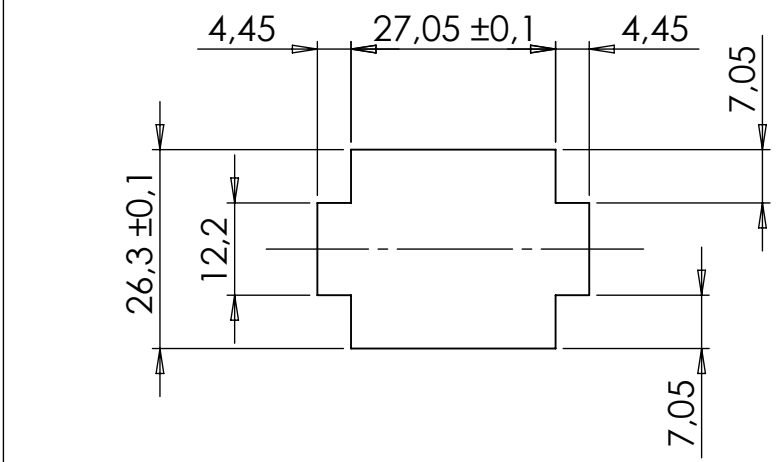
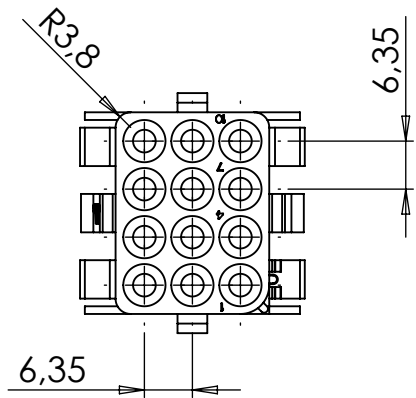


# DISEGNO TAGLIO LAMIERA



4	Aggiunto particolare lamiera di fissaggio (CUT - OUT)	15-01-2015
3	Aggiornata lista materiali termoplastici	05-05-2009
2	Corretto disegno	10-11-2005
1	Modificate tolleranze e corretto disegno	02-06-2001
INDEX	MODIFICATION	DATE

**CS S.r.l.**  
 20063 CERNUSCO S/N - VIA COMO, 11  
 TEL +39.02.9210.7404 - FAX +39.02.9210.0217  
 http://www.csconnectors.com - e-mail: info@csconnectors.com

CHECKED BY Stefano Galimberti	DATE 16-01-2015	DESIGN UNITS METRIC
DRAWN BY Luca Viscardi	DATE 16-01-2015	WEIGHT
CAD REFER Y:\dis\cs\lk\12vie\fl	SIZE A4	SCALE 1:1
INDEX 0		

DIMENSIONS WITHOUT TOLERANCES			CS-LK12F	PA66 UL94 V-2
A ±2°	0 - 6	±0.1	CS-LK12FV0	PA68 UL94 V-0
	6 - 30	±0.2	CS-LK12FV0750NF	PA66 UL94 V-0 GWIT 775
	> 30	±0.3	CS-LK12F-G	PA6 UL94 V-2 GWIT 775
			PART NUMBER	MATERIAL

BASE CODE CS-LK12F	DESCRIPTION Giunto 12 vie per terminale femmina diametro 2.12 mm
-----------------------	---