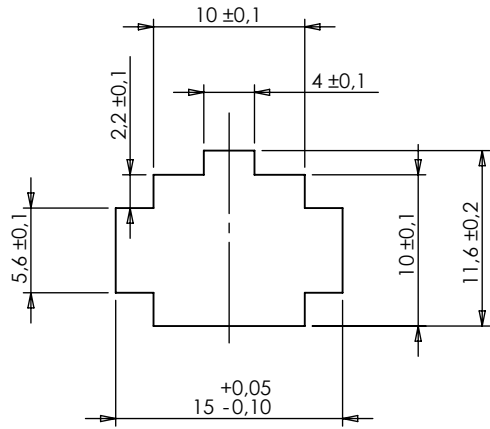
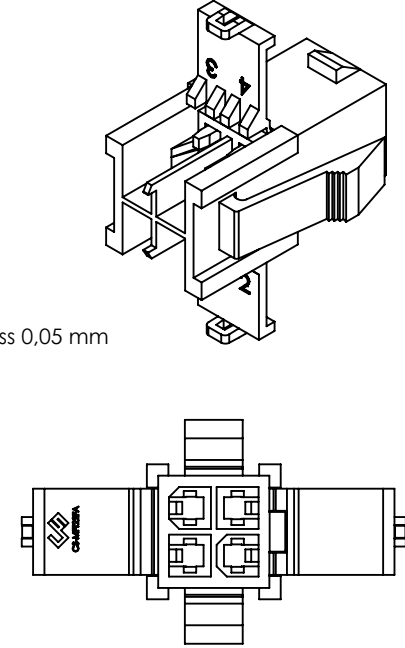
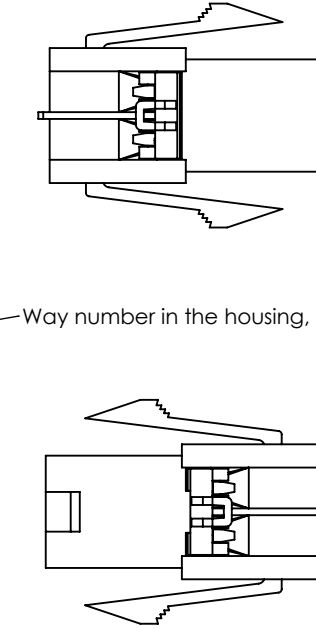
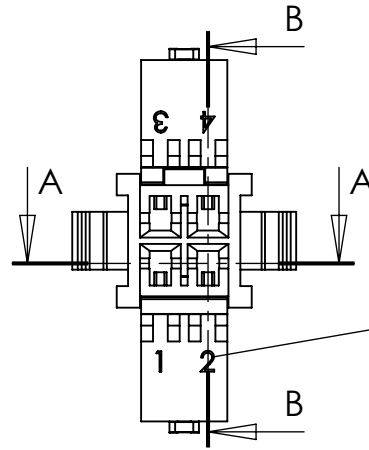
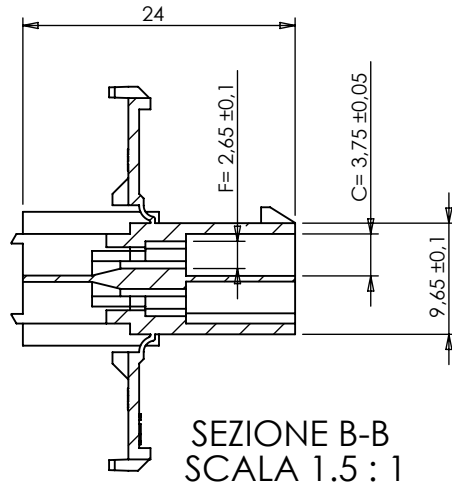
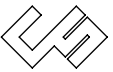
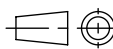


This drawing and all informations contained here can not be used or reproduced, integrally or partially, without written authorization by Colombo Sergio & Figli.



Spessore lamiera 0,8 - 2 mm

INDEX	MODIFICATION	DATE
 <p>COLOMBO SERGIO e Figli S.r.l. 20063 CERNUSCO S/N - VIA COMO, 11 TEL +39.02.9210.7404 - FAX +39.02.9210.0217 http://www.cscolombo.com - e-mail: info@cscolombo.com</p>		
CHECKED BY	DATE	DESIGN UNITS
Stefano Galimberti	15-02-2012	METRIC
DRAWN BY	DATE	WEIGHT
Stefano Querzoli	15-02-2012	
SCALE	CAD REFER	SIZE
1.5:1	Y:\dis\cs\mft\mftxxf\mftxxfa sec lock\tavole\	A4
INDEX 0	15-02-2012	
BASE CODE	DESCRIPTION	
CS-MFT22FA	MFT FEMALE CONNECTOR FOR PANEL, 2X2 POLES	

	CS-MFT22FA	PA66 UL94 V-2
	CS-MFT22FAV0	PA6/66 UL94 V-0
	CS-MFT22FAV0750NF	PA66 UL94 V-0 GWIT 775
	CS-MFT22FA-G	PA6 UL94 V-2 GWIT 775
	PART NUMBER	MATERIAL
	DIMENSIONS WITHOUT TOLERANCES	
$\angle \pm 2^\circ$	0 - 6	± 0.1
	6 - 30	± 0.2
	> 30	± 0.3